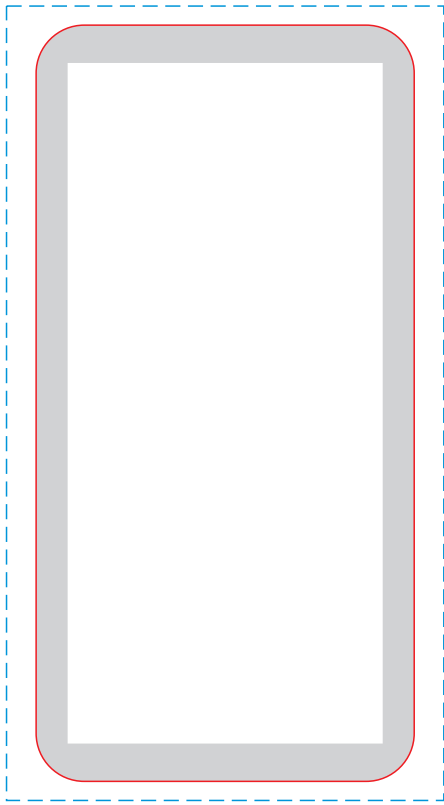
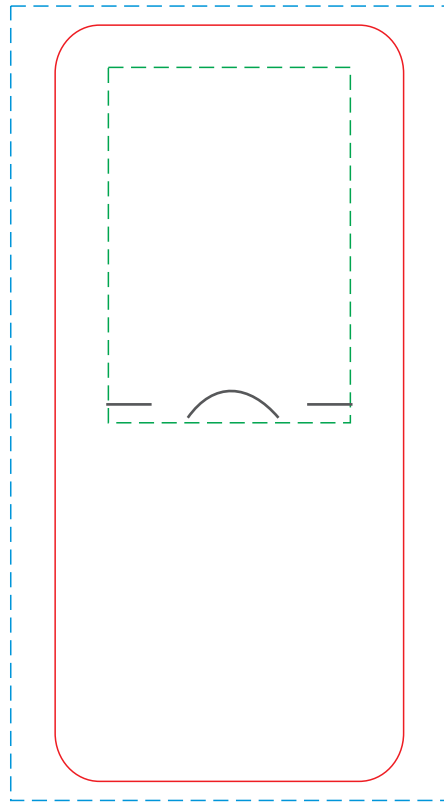


FRONT



BACK



CUT

BLEED

WELDING
THIS AREA CAN BE PRINTED TOO

CUT

BLEED

ZONE FOR MANDATORY
INFORMATIONS

